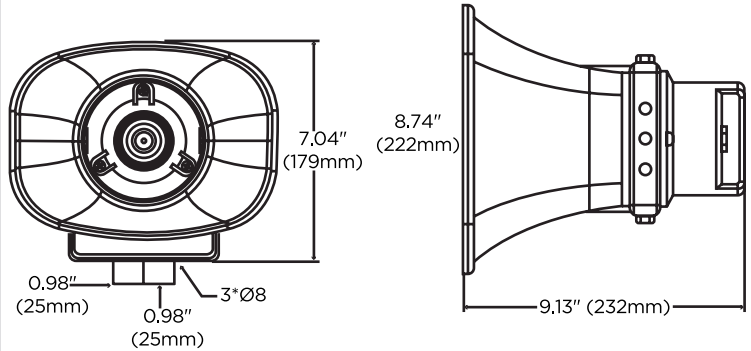




Dimensions

Unit: Inch (mm)



Summary

This outdoor IP speaker is a robust, IP-enabled audio device that helps to deter crime proactively by responding to events in real time with automated and manual audible alerts. The IP67-rated housing has alarm input and is ideal for challenging outdoor environmental conditions with high ambient noise and can play music, loud ringing, voice paging and notification alerting applications. The speaker is fully integrated with DW Spectrum IPVMS and supported IP cameras and can integrate easily with 3rd party access control, analytics and VoIP (supporting SIP) via open standards. The DW-SWSP15A is a standalone solution, an ideal, cost-effective, scalable and flexible approach to system design and comes with DW's 2-year warranty.

Features

- All-in-one IP speaker system
- Compatible with IP cameras via DW Spectrum IPVMS
- Compatible with VoIP devices (IPPBX, IP Phone) via SIP
- Support pre-recorded messages, live responses, alarms and background music
- Alarm input
- Schedule audio alerts
- Support HPPT API for alarm-in transmit
- Web server built-in
- ONVIF conformant
- PoE Class 3 and DC12V-24V
- Wall mount bracket included
- IP67 dust-tight and waterproof to 3 feet
- 2 year warranty

Specifications

Audio	
Codec	OPUS 48 kHz, MP3 44.1 kHz, G.722 ADPCM 16 kHz, G.711 PCMU 8 kHz, G.711 PCMA 8 kHz
Speaker	
Max SPL	113dB
Frequency response	300Hz-8KHz
Frequency range	500-2KHZ +-10dB 400-12KHZ +-20dB
Harmonic distortion	0.1@1kHz
Signal to noise ratio	91dB
Amplifier	Built-in 15W amplifier
Network	
Security	Password protection, IP address filtering, digest authentication, user access log, firewall
Network protocol	SIP, ONVIF, HTTP, IPv4, DHCP, RTSP, RTP, RTCP, TCP, UDP, ARP, FTP, TFTP, NFS, NTP
Network interface	10/100 Base-TX, RJ45
VoIP	Support for SIP protocol for integration with VoIP systems, integrated with SIP/PBX. 2 SIP accounts, SIP direct IP call, RTP multicast Codec: OPUS, MP3, G.722, PCMU, PCMA
General	
Interface	Alarm input
Operating temperature	-22°F - 140°F (-30°C - 60°C)
Operating humidity	5%-85%
Material	ABS (IP67-rated)
Rate power	15W
Power supply	PoE or 12-24V
Installation	Wall-mounted (wall mount bracket included)
Dimensions	8.74" x 7.04" x 9.13" (222 x 179 x 232mm)
Net weight	2.86 lbs (1.3 kg)
Warranty	2 years



866.446.3595

sales@digital-watchdog.com

www.digital-watchdog.com

Built for Users.™

