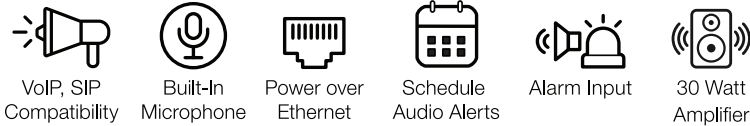
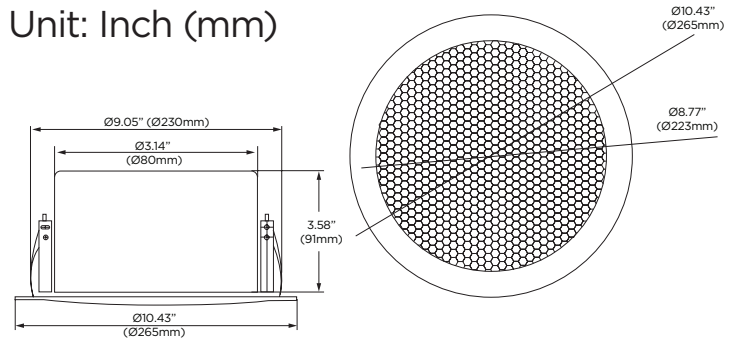




Dimensions

Unit: Inch (mm)



Summary

This standalone, 30-watt, smart audio IP indoor in-ceiling speaker helps deter crime by responding to real-time events with automated and manual voice alerts in a discrete installation. The speaker has a built-in microphone and alarm input for two-way communication and integration with access control systems. With built-in memory to support pre-recorded messages, the speaker is ideal for live voice paging, alerts and ambient music. The speaker is fully integrated with DW Spectrum and supported IP cameras and can easily integrate with SIP-supporting VoIP via open standards. The DW smart audio speaker is an ideal, scalable, and flexible approach to system design and comes with DW's 2-year warranty.

Features

- All-in-one IP speaker system
- Built-in microphone
- Compatible with IP cameras via DW Spectrum
- Compatible with VoIP devices (IP PBX, IP Phone) via SIP
- Built-in 30W amplifier
- Support pre-recorded messages, live responses, alarms and background music
- Alarm sensor input for access control integration
- Schedule audio alerts
- Support HTTP API for alarm-in transmit
- Web server built-in for easy device management from any browser
- ONVIF conformant
- PoE and DC12V for single cable simplified installation
- In-ceiling installation with minimalistic design for a discreet final look.
- 2 year warranty



Specifications

Audio	
Codec	OPUS 48 kHz, MP3 44.1 kHz, G.722 ADPCM 16 kHz, G.711 PCMU 8 kHz, G.711 PCMA 8 kHz
MIC	
Built-in MIC	Yes
Speaker	
Max SPL	96dB
Frequency response	100Hz - 18KHz
Frequency range	500-2KHz, +10dB 400-12KHz, +20dB
Harmonic distortion	0.1@1kHz
Signal to noise ratio	91dB
Network	
Security	Password protection, IP address filtering, Digest authentication, User access log
Network protocol	SIP, ONVIF, HTTP, IPv4, DHCP, RTSP, RTP, RTCP, TCP, UDP, ARP, FTP, TFTP, NFS, NTP
Network interface	10/100 Base-TX, RJ45
VoIP	Support SIP protocol for integration with VoIP systems, integrated with SIP/PBX
	Support SIP features: secondary/backend SIP server, IPv4
	Supported codecs: OPUS, G711U, G711A, GSM, MP3, WAV
Amplifier	
Amplifier	Built-in 30W Amplifier
General	
Material	Metal
Operating temperature	-22°F - 140°F (-30°C - 60°C)
Operating humidity	5% - 85%
Rate Power	30W
Power supply	PoE or DC 12V
Interface	Alarm in, Audio in, DC Power, PoE
Dimensions	7.87" x 3.54" (200 x 90mm)
Weight	4.29 lbs (1.95kg)
Warranty	2 year warranty



☎ : 866.446.3595

✉ : sales@digital-watchdog.com

🌐 : www.digital-watchdog.com

Built for Users.™

